



# AR CYLINDER

Pendant, Surface Luminaire

## DESCRIPTION

AR Cylinders offer a versatile, modular DIY architectural lighting solution, available in pendant and surface mount configurations. Designed for adaptability, they feature five CCT selections, three wattage options, optional trims and reflectors, a variety of beam angles with optical lenses, and a range of compatible mounting kits.

## APPLICATION

Ideal for indoor spaces such as offices, retail areas, lobbies, conference rooms, and other modern settings, this fixture combines exceptional performance with an elegant touch to enhance any atmosphere.

## LENGTHS

Offered in diameters of 3", 4", 6", and 8"

## OPTICS

Optical lenses available with a range of beam angles.

- 3 7/8" sizes: 20°, 30°, 40°, 50°
- 6 7/8" sizes: 15°, 25°, 60°

## FEATURES

- Standard 5 CCT Selectable 2700K-3000K-3500K-4000K-5000K available on 3, 4 and 6"
- Single CCT only available for 8", 2700K-3000K-3500K-4000K-5000K
- CRI 90+ , 80 (Optional)
- 0-10V and TRIAC Dimming standard.
- Additional control types are available (DALI & MESH) at an additional cost.

## CONSTRUCTION

- Precision cut housing extruded from 6063 aluminum.
- The height of the cylinder can be customized.
- Operating temperature range: -25° C to 40° C.

## FINISH

Powder coated white, black or gray are standard. Custom RAL colors Available.

## MOUNTING

Mounting options including stem or cable pendant, surface mount, wall mount and conduit-compatible canopy kits.

## WARRANTY

5 year warranty standard, Optional 10 year warranty available upon request.

## LISTINGS/COMPLIANCE

- ETL - Listed for damp location.

\*IES Files available upon request or visit vivid-forms.com

## ORDERING INFORMATION

| Series | Diameter/Output | Voltage | Color Temperature | Dimming | Optics | Finish | Mounting | Trim Style | Accessories |
|--------|-----------------|---------|-------------------|---------|--------|--------|----------|------------|-------------|
|        |                 |         |                   |         |        |        |          |            |             |

ordered separately

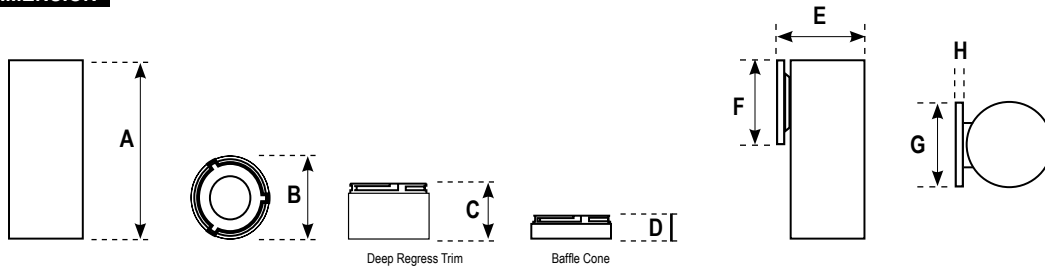
| Series                          | Diameter/Output | Voltage              | Color temperature | Dimming                    | Optics                     | Finish                |
|---------------------------------|-----------------|----------------------|-------------------|----------------------------|----------------------------|-----------------------|
| AR Architectural Round Cylinder | 3 - 3"          | 15 - 9W / 12W / 15W  | UNV - 120-277V    | 5CCT - 27K/30K/30K/40K/50K | D3 - 0-10V & TRIAC Dimming | 15 <sup>2</sup> - 15" |
|                                 | 4A - 4"A        | 30 - 18W / 24W / 30W | HV - 120-377V     | 27 <sup>1</sup> - 27K      | DA - DALI                  | 20 - 20"              |
|                                 | 4B - 4"B        | 40 - 20W / 30W / 40W | SV - 120V         | 30 <sup>1</sup> - 30K      | ME - Mesh Control          | 25 <sup>2</sup> - 25" |
|                                 | 6A - 6"A        | 20 - 10W / 15W / 20W |                   | 35 <sup>1</sup> - 35K      | TE - TRIAC/ELV             | 30 - 30"              |
|                                 | 6B - 6"B        | 40 - 20W / 30W / 40W |                   | 40 <sup>1</sup> - 40K      | D1 - 0-10V (5% - 100%)     | 40 - 40"              |
|                                 | 6C - 6"C        | 55 - 45W / 50W / 55W |                   | 50 <sup>1</sup> - 50K      | DW - Dim to Warm           | 50 - 50"              |
|                                 | 8 - 8"          | 90 - 70W / 80W / 90W |                   |                            |                            | 60 <sup>2</sup> - 60" |

| Mounting                 | Trim Style/Regress Cone/Reflector/Lampshade | Notes:                                                                                       |
|--------------------------|---------------------------------------------|----------------------------------------------------------------------------------------------|
| CH - Cable Hung          | FRO3 - 3" Baffle Trim                       | Notes:<br>1. 8" is only available with single CCT.<br>2. Offered in 6" and 8" reflector only |
| PC - Pendant Mount Cable | FRO4 - 4" Baffle Trim                       |                                                                                              |
| PS - Pendant Mount Stem  | FRO6 - 6" Baffle Trim                       |                                                                                              |
| SM - Surface Mount       | FRO8 - 8" Slim Trim                         |                                                                                              |
| WM - Wall Mount          | RHO3 - 3" Deep Regress Trim Holder          |                                                                                              |
|                          | RHO4 - 4" Deep Regress Trim Holder          |                                                                                              |
|                          | RTWH - 3 7/8" White Cone                    |                                                                                              |
|                          | RTBK - 3 7/8" Black Cone                    |                                                                                              |
|                          | RTSL - 3 7/8" Silver Cone                   |                                                                                              |
|                          | RTCO - 3 7/8" Copper Cone                   |                                                                                              |
|                          | AS06WH - 6 7/8" Aluminum Lampshade White    |                                                                                              |
|                          | AS06BK - 6 7/8" Aluminum Lampshade Black    |                                                                                              |

## ACCESSORIES

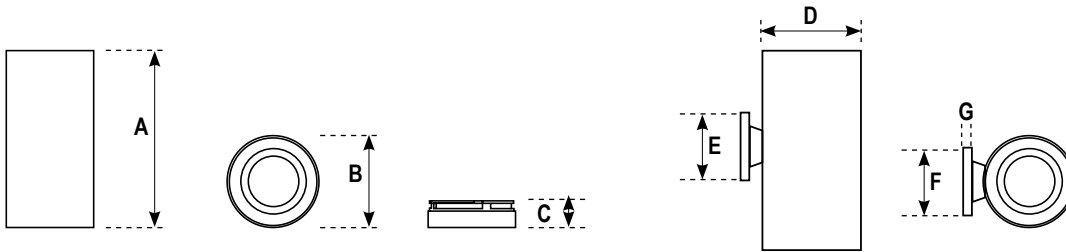
| Canopy Type                                         | Fixed Accessory Pairs                         | Stem/Cable                   | Accessories                               |
|-----------------------------------------------------|-----------------------------------------------|------------------------------|-------------------------------------------|
| SC - 5" Standard canopy with recessed J-box         | SK - Swivel stem & cord pendant kit           | S01 - Linkable Stem          | EM03 - Emergency back-up 3W w/ canopy     |
| DC - 5" Canopy for surface J-box with conduit cover | MC - Wall mount kit                           | 3DC5C - 5 Core, 300V, 18 AWG | EM08 - AC Input emergency power supply 8w |
| UC - 5" slim canopy with recessed J-box             | HC - Dual hole canopy with recessed J-box kit | 6DC5C - 5 Core, 600V, 18 AWG |                                           |
| CB - Canopy with surface J-box                      |                                               | 3AC5C - 5 Core 300V cable    |                                           |
| HB - Dual-Hole Canopy with Recessed J-Box           |                                               | 6AC5C - 5 Core 600V cable    |                                           |
| WM - Wall mount Canopy & Arm                        |                                               |                              |                                           |

## 3 3/4" DIMENSION



| Size | A<br>Height | B<br>Diameter | C<br>Trim Height | D<br>Baffle Cone Height | Total Height w/<br>Deep Regress Trim | Total Height w/<br>Baffle Cone Height | E<br>Total Width including wall<br>mount Bracket | F<br>Wall Mount<br>Bracket Height | G<br>Bracket Length | H<br>Bracket Width |
|------|-------------|---------------|------------------|-------------------------|--------------------------------------|---------------------------------------|--------------------------------------------------|-----------------------------------|---------------------|--------------------|
| 3"   | 6.5"        | 2.87"         | 1.63"            | 0.59"                   | 8.13"                                | 7.09"                                 | 3.96"                                            | 5.39"                             | 4.25"               | 1.18"              |
| 4"A  | 8"          | 4.72"         | 2.57"            | 0.78"                   | 10.57"                               | 8.78"                                 | 5.84"                                            | 5.39"                             | 4.25"               | 1.18"              |
| 4"B  | 11"         | 4.72"         | 2.57"            | 0.78"                   | 13.57"                               | 11.78"                                | 5.84"                                            | 5.39"                             | 4.25"               | 1.18"              |

## 6 7/8" DIMENSION



| Size | A<br>Height | B<br>Diameter | C<br>Trim Height | Total Height w/<br>Baffle Cone Height | D<br>total Length including Bracket | E<br>Bracket Height | F<br>Bracket Length | G<br>Bracket Width |
|------|-------------|---------------|------------------|---------------------------------------|-------------------------------------|---------------------|---------------------|--------------------|
| 6"A  | 5.89"       | 5.55"         | 0.59"            | 6.47"                                 | 6.61"                               | 5.39"               | 4.25"               | 1.18"              |
| 6"B  | 10.04"      | 5.55"         | 0.59"            | 10.63"                                | 6.61"                               | 5.39"               | 4.25"               | 1.18"              |
| 6"C  | 13.19"      | 5.55"         | 0.59"            | 13.79"                                | 6.61"                               | 5.39"               | 4.25"               | 1.18"              |
| 8"   | 17.22"      | 7.87"         | /                | /                                     | 9.01"                               | 5.39"               | 4.25"               | 1.18"              |

## LINKABLE STEM

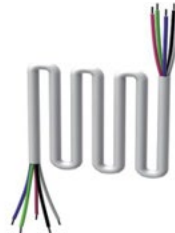


**Stem Diameter**  
5/8" (15.875mm) M14 x 1.5mm



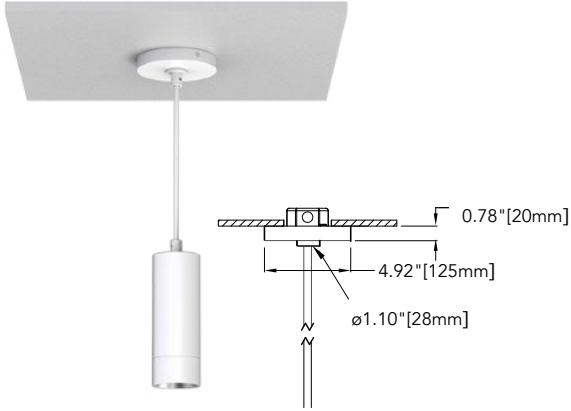
Rotatable threaded linkable connection

## CABLE

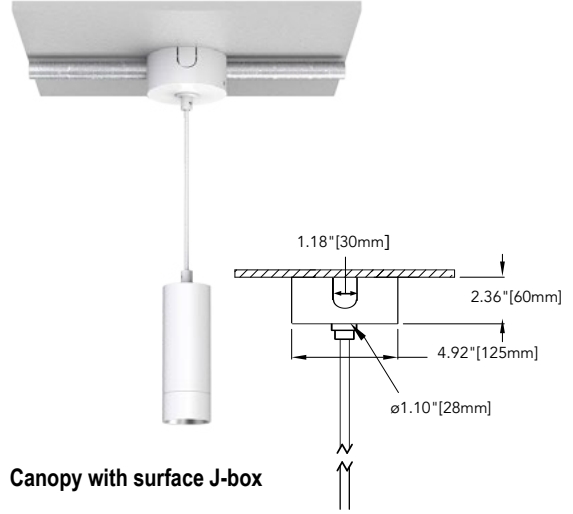


3DC5C - 5-cores ,300V,18 AWG  
6DC5C - 5-cores,600V,18AWG  
3AC5C - 5-Core 300V Cable  
6AC5C - 5-Core 600V Cable

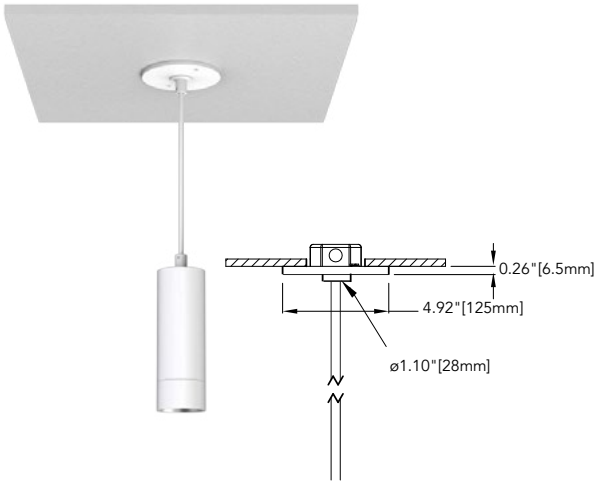
## MOUNTING OPTIONS



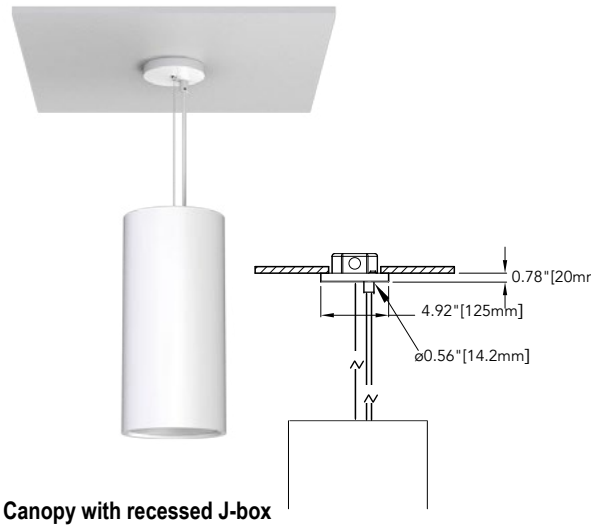
Canopy with recessed J-box



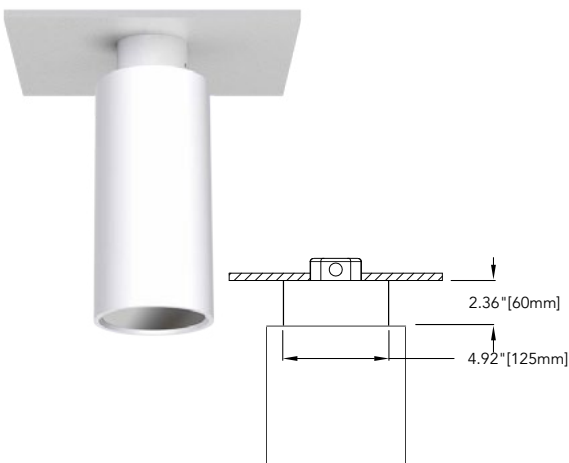
Canopy with surface J-box



Conduit cover canopy with surface J-box

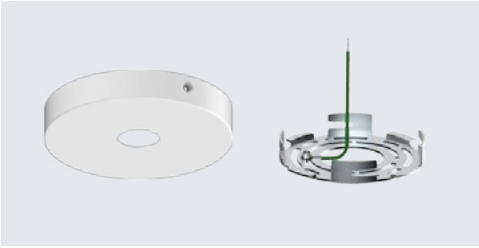


Canopy with recessed J-box

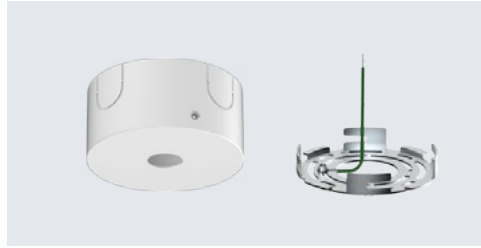


Surface Gear box with surface J-box

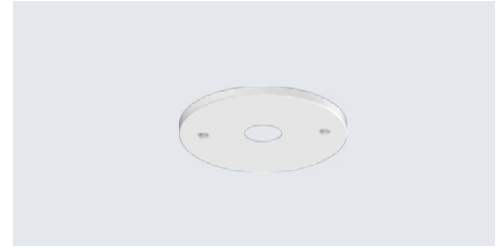
## CANOPY TYPE



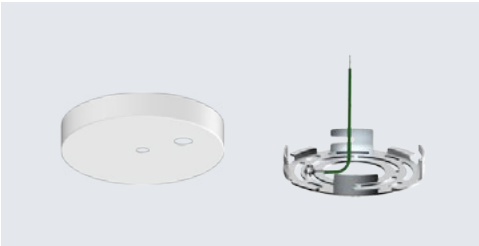
**SC**  
5" Standard canopy with recessed J-box



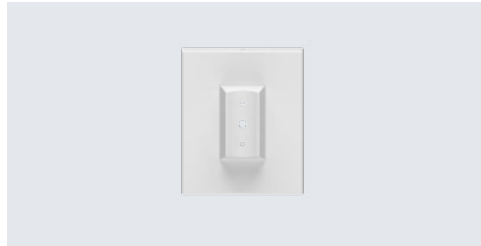
**DC**  
5" canopy for surface J-box with conduit cover



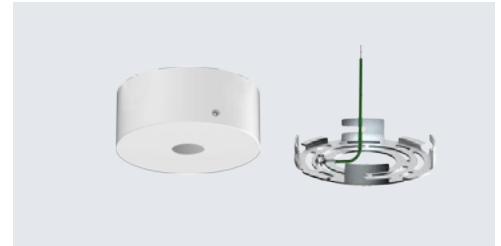
**UC**  
5" slim canopy with recessed J-box



**HB**  
Dual-Hole Canopy with Recessed J-Box  
(can only be used with 6" and 8")

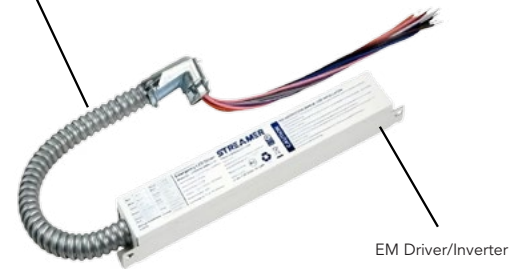
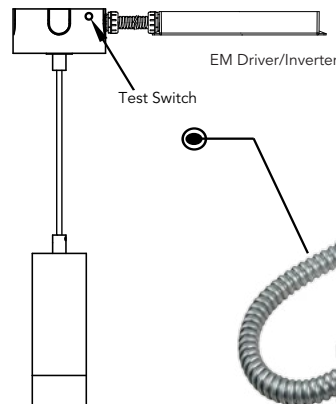
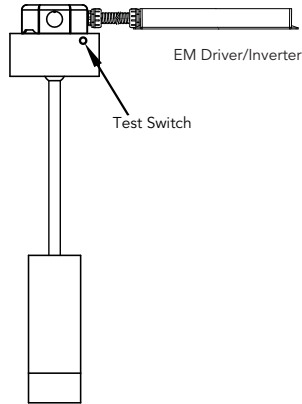
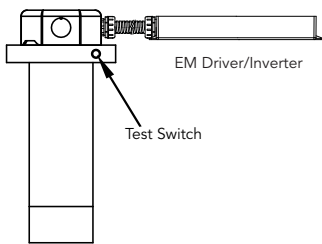


**WM**  
Wall mount Canopy & Arm

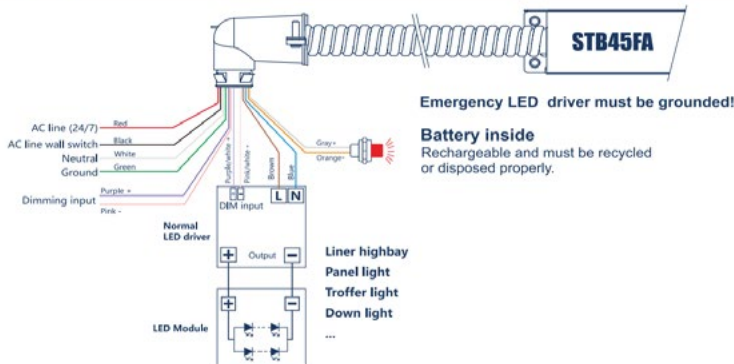


**CB**  
Canopy with surface J-box

## EM OPTION



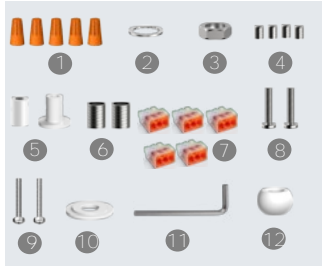
EM08=AC input emergency power supply 8W



| Indicator Light                      | Status                       | Comment                                                                                     |
|--------------------------------------|------------------------------|---------------------------------------------------------------------------------------------|
| Red Stable                           | Charging Mode, Fully charged | AC mode, unit is operating correctly.                                                       |
| Flashing 2 times, Light off 2s, loop | Battery Error                | Battery disconnected or fail 90mins duration test due to insufficient capacity              |
| Flashing 3 times, Light off 2s, loop | Charging Error               | Ensure input wiring is correct and verify input voltage & frequency are correct and stable. |
| Flashing 5 times, Light off 2s, loop | Temp Error                   | Overtemperature                                                                             |
| Continuous Flashing                  | LED load abnormal            | Matching test fail, self-check output abnormality                                           |

## MOUNTING ACCESSORIES

**SK** - Supports pendant stem, cord, and surface mounting (Compatible with SC, DC, UC and CB)



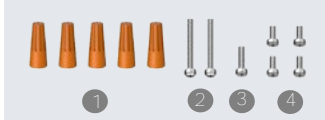
|    |                       |      |
|----|-----------------------|------|
| 1  | P3 Wire Nuts          | 5PCS |
| 2  | Metal Gasket          | 1PCS |
| 3  | Nut                   | 1PCS |
| 4  | M6*6 Screws           | 4PCS |
| 5  | SJT Cable Fastening   | 2PCS |
| 6  | Threaded Nipple       | 1PCS |
| 7  | Terminal Connector    | 5PCS |
| 8  | 8#-32 Flat Head Screw | 2PCS |
| 9  | 8#-32 Pan Head Screw  | 2PCS |
| 10 | Stator                | 1PCS |
| 11 | Hex Key               | 1PCS |
| 12 | Swivel Ball           | 1PCS |

**HC** - Dual-hole (Cord & lanyard) canopy with recessed J-box for cord pendant mount (HB only)



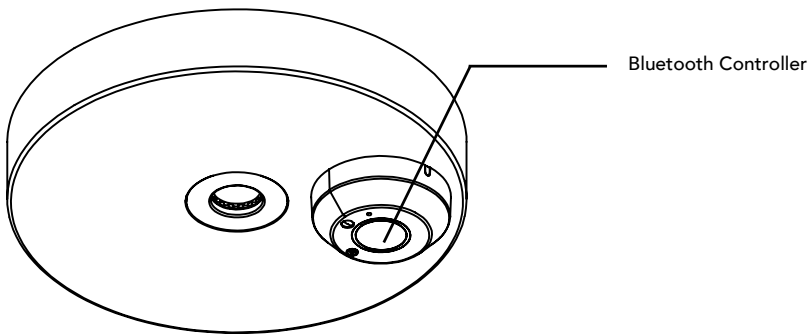
|    |                          |      |
|----|--------------------------|------|
| 1  | P3 Wire Nuts             | 5PCS |
| 2  | Steel wire rope          | 1PCS |
| 3  | M6*6 Screws              | 4PCS |
| 4  | Nut                      | 3PCS |
| 5  | Steel wire rope adjuster | 1PCS |
| 6  | Steel wire rope fastener | 1PCS |
| 7  | 8#-32 Flat Head Screw    | 2PCS |
| 8  | M4*12 Screws             | 1PCS |
| 9  | SJT Cable Fastening      | 2PCS |
| 10 | Threaded Nipple          | 2PCS |
| 11 | Terminal Connector       | 5PCS |

**MC** - Wall Mount Canopy & Arm



|   |                 |      |
|---|-----------------|------|
| 1 | P3 Wire Nuts    | 5PCS |
| 2 | 8#-32 Screws    | 2PCS |
| 3 | M4 x 12mm screw | 1PCS |
| 4 | M4 x 6mm screw  | 4PCS |

## BLUETOOTH MESH CONTROL



App Download



| Input Voltage | IDetection Range | Mounting Height | Operating Temperature        | IP Rating |
|---------------|------------------|-----------------|------------------------------|-----------|
| DC 12V        | 32ft Max         | 15ft Max        | -30°C to 65C (-22F to 149°F) | IP20      |

• **Equipped with a Built-in Magnetic Base**

Allows easy attachment directly to the canopy for quick and secure installation

• **Low-Voltage Operation**

Safe and energy-efficient, designed to operate on a low-voltage system for improved safety.

• **No Sensor Required**

Enables seamless app-based dimming for smart, effortless control.

• **Compatible with SCKD Canopy with Recessed J-Box Only**

Specifically designed to work with the SCKD canopy, and can be mounted using a pre-drilled hole on canopy.



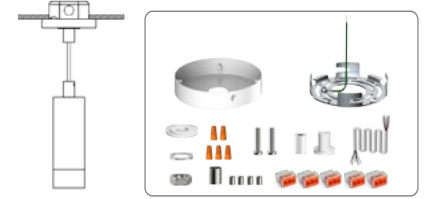
## ACCESSORIES & MOUNTING KIT - COMBINATION GUIDE



**SC + SK**  
Canopy with Recessed J-Box + Stem Pendant Kit



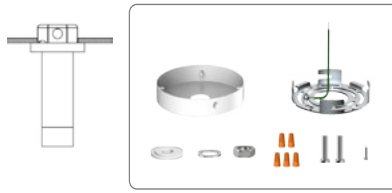
**DC + SK**  
Conduit cover canopy with recessed J-Box + Stem



**SC + SK**  
Canopy with Recessed J-Box + Cord Kit



**DC + SK**  
Conduit Cover Canopy with recessed J-box + Cord Kit



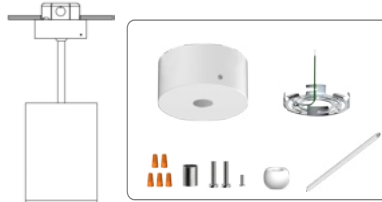
**SC + SK**  
Canopy with Recessed J-Box



**DC + SK**  
Conduit Cover Canopy with recessed J-box



**UC + SK**  
Ultra-Thin Canopy with Recessed J-Box + Stem Pendant Kit



**CB + SK**  
Canopy with surface J-box + Stem Pendant Kit



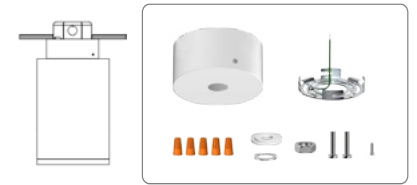
**UC + SK**  
Ultra-Thin Canopy with Recessed J-Box + Cord Kit



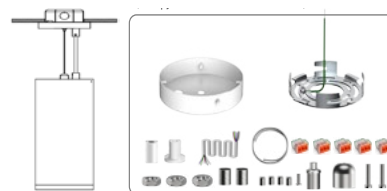
**CB + SK**  
Canopy with surface J-box + Cord Kit



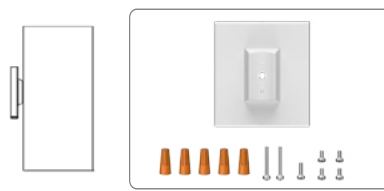
**UC + SK**  
Ultra-Thin Canopy with Recessed J-Box + Cord Kit



**CB + SK**  
Canopy with surface J-box



**HB + HC**  
Canopy with Recessed J-Box + Cord Kit



**WM + MC**  
Wall Mount Canopy & Arm

## CONDUIT CANOPY

### DESIGNED FOR SURFACE & PENDANT MOUNT ON CONDUIT

The conduit knockout canopy features from one to four keyholes and is compatible with 1/2-inch or 3/8-inch conduit. The slots measure 2-3/8" in height and 1-3/16" in width.



### CONDUIT CONFIGURATION OPTIONS



Single  
Conduit Feed



Double  
180° conduit



Double  
90° conduit



Triple  
0°, 90° & 180° conduit



Quad  
0°, 90° & 180° & 270° conduit

## MOUNTING STYLE

### 3" & 4" CANOPY + CABLE/STEM



Wall Mount



Surface  
Mount



Surface Mount  
on conduit



Surface  
Mount



Cable  
Pendant



Stem  
Pendant



Cable  
Pendant



Stem Pendant  
on conduit



Cable Pendant  
on conduit

### 6" & 8" CANOPY + CABLE/STEM



Wall Mount



Surface Mount  
on conduit



Stem  
Pendant

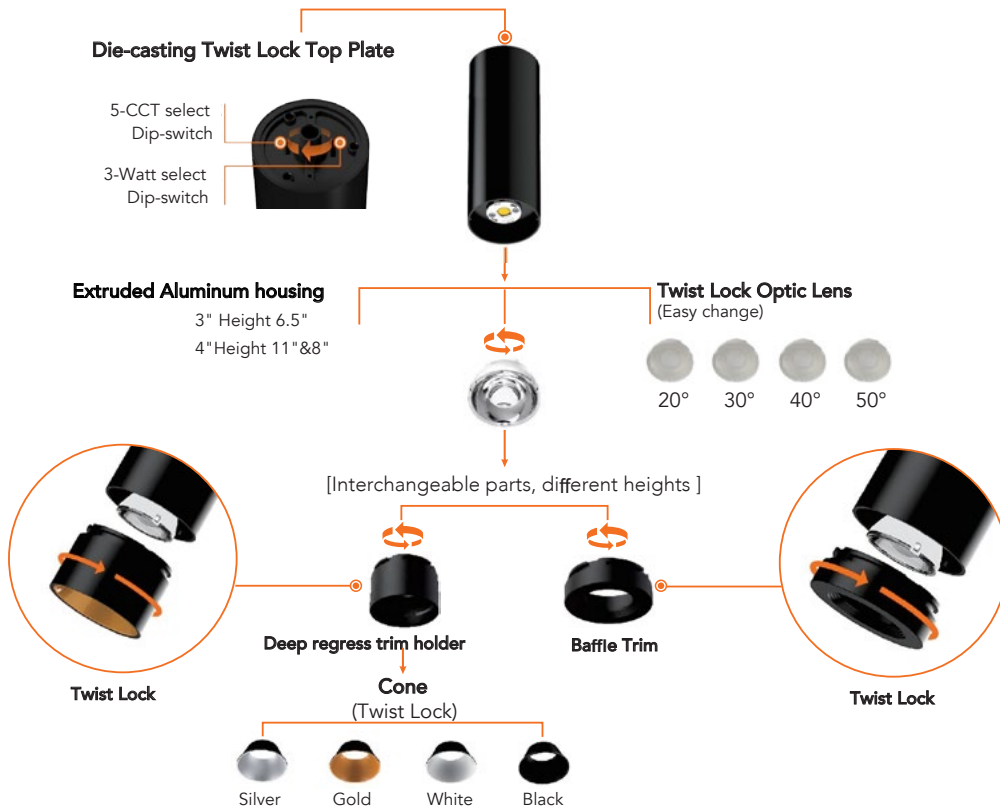


Stem Pendant  
on conduit

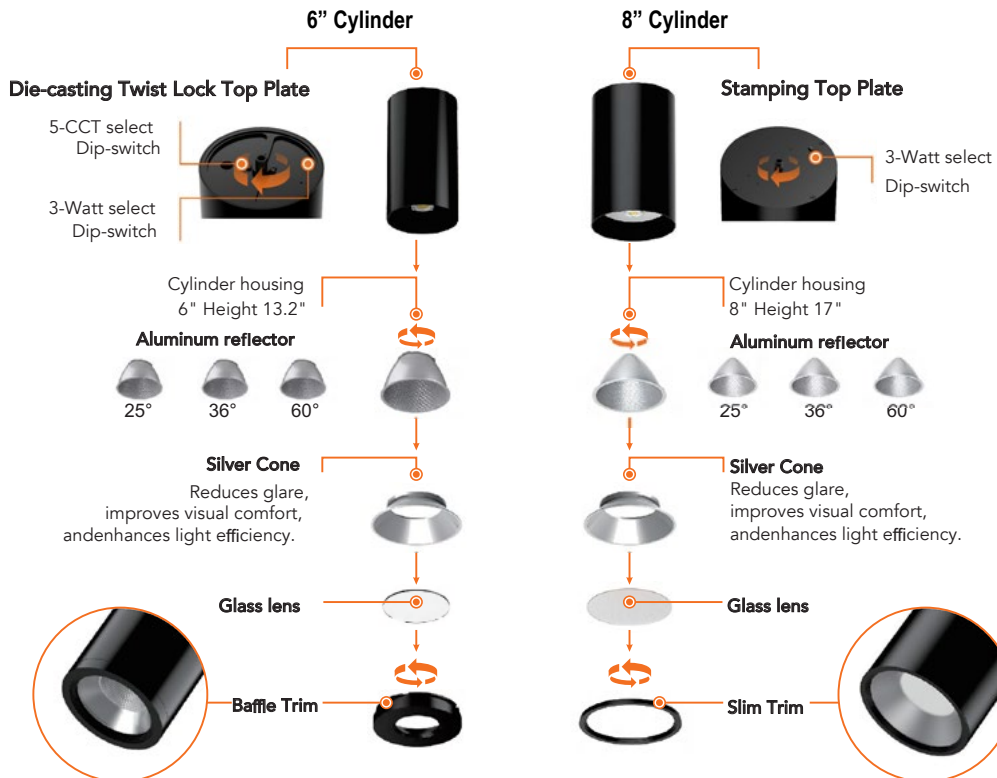


Cable  
Pendant

## 3" & 4" MECHANISM FEATURES



## 6" & 8" MECHANISM FEATURES



## INTERNAL EMERGENCY POWER (OPTIONAL)



**LED Emergency Power Kit**



**Battery Pack**



- LED Emergency converter – converts standard LED fitting into emergency LED fitting
- Compatible with LiFePO4 battery
- Suitable for LED fittings with external driver

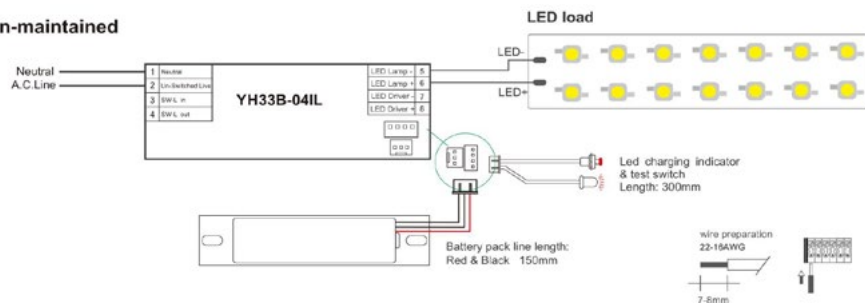
| Item                      | Data               |
|---------------------------|--------------------|
| Rated input voltage       | 100-277VAC,50/60Hz |
| Power factor              | >0.5               |
| Output current            | 75mA CC            |
| Output power(max)         | 3.5W               |
| Recharge time             | 24hours            |
| Discharge time            | 90 minutes         |
| Lumen factor              | 140lm/W            |
| Max.casing temperature tc | 70°C               |

- 1500mAh capacity ensures emergency lighting stays fully functional for extended periods without frequent recharging.
- Built-in emergency power ensures proper operation during power outages.
- Equipped with a test switch and charge indicator for easy monitoring and maintenance.

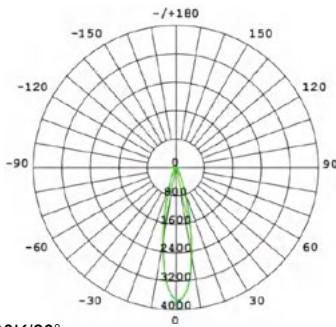
| Item         | Data               |
|--------------|--------------------|
| Category     | Emergency Lighting |
| Battery Type | LiFePO4            |
| Capacity     | 1500mAh            |
| Voltage      | 6.4V               |
| Power Rating | 9.60Wh             |

### Install

#### Non-maintained



## PHOTOMETRICS



3"/9W/5000K/20°

Average Beam Angle (50%) : 24.1°

**Lumen:1291.45lm**  
**Total Lumens:3752 lm**  
**Input Watts: 9W**  
**Efficacy:107.67lm/W**

### Zonal Flux Diagram

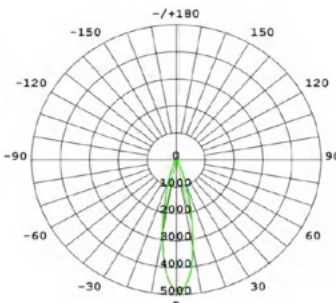
| Y      | C0                       | C45    | C90    | C135  | C180  |
|--------|--------------------------|--------|--------|-------|-------|
| 2551   | 2638                     | 2563   | 2681   | 2117  | 2176  |
| 714.6  | 754.0                    | 747.1  | 796.8  | 567.5 | 1260  |
| 198.5  | 206.6                    | 211.6  | 227.2  | 175.3 | 421.1 |
| 79.57  | 82.16                    | 84.89  | 88.12  | 76.31 | 146.5 |
| 42.49  | 44.00                    | 45.12  | 46.55  | 42.58 | 70.99 |
| 24.37  | 25.41                    | 25.58  | 26.59  | 24.08 | 36.34 |
| 12.82  | 13.61                    | 13.51  | 14.28  | 12.49 | 16.31 |
| 4.093  | 4.544                    | 4.472  | 4.916  | 3.953 | 4.755 |
| 0.0785 | 0.0721                   | 0.1395 | 0.3808 | 0     | 0     |
| DEG    | LUMINOUSINTENSITY:cd/klm |        |        |       |       |

### Zonal Lumens

| Y     | Φ Zone | Φ Total     |
|-------|--------|-------------|
| 00-10 | 285.6  | 285.6       |
| 10-20 | 363.2  | 648.8       |
| 20-30 | 162.2  | 811.0       |
| 30-40 | 74.87  | 885.9       |
| 40-50 | 44.19  | 930.1       |
| 50-60 | 29.05  | 959.1       |
| 60-70 | 18.00  | 977.1       |
| 70-80 | 8.529  | 985.7       |
| 80-90 | 1.865  | 987.5       |
|       |        | UNIT:lm/klm |

### Luminance cd/(m2)

| G(DEG) | C0/180 | C90/270 |
|--------|--------|---------|
| 85     | 467    | 513     |
| 80     | 601    | 647     |
| 75     | 683    | 734     |
| 70     | 767    | 822     |
| 65     | 855    | 916     |
| 60     | 944    | 997     |
| 55     | 1140   | 1279    |
| 50     | 2200   | 2566    |
| 45     | 4735   | 5283    |



3"/12W/5000K/20°

Average Beam Angle (50%) : 24.1°

**Lumen:1532.12lm**  
**Total Lumens:4882 lm**  
**Input Watts: 12W**  
**Efficacy:105.86lm/W**

### Zonal Flux Diagram

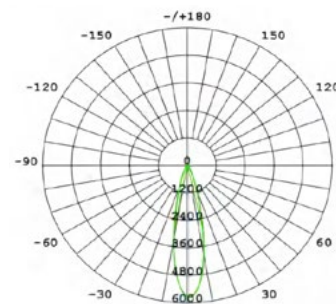
| Y   | C0                       | C45    | C90    | C135   | C180  |
|-----|--------------------------|--------|--------|--------|-------|
| 10  | 3323                     | 3432   | 3332   | 3489   | 2743  |
| 20  | 931.0                    | 980.0  | 974.0  | 1039   | 739.9 |
| 30  | 259.1                    | 268.8  | 276.4  | 296.4  | 228.7 |
| 40  | 104.0                    | 107.4  | 110.8  | 115.2  | 99.72 |
| 50  | 55.58                    | 57.57  | 58.88  | 60.85  | 55.53 |
| 60  | 31.88                    | 33.07  | 33.42  | 34.62  | 31.47 |
| 70  | 16.80                    | 17.69  | 17.70  | 18.60  | 16.33 |
| 80  | 5.386                    | 5.939  | 5.893  | 6.443  | 5.148 |
| 90  | 0.1301                   | 0.1178 | 0.2302 | 0.5289 | 0     |
| DEG | LUMINOUSINTENSITY:cd/klm |        |        |        |       |

### Zonal Lumens

| Y     | Φ Zone | Φ Total     |
|-------|--------|-------------|
| 00-10 | 371.7  | 371.7       |
| 10-20 | 472.2  | 843.9       |
| 20-30 | 211.7  | 1056        |
| 30-40 | 97.91  | 1154        |
| 40-50 | 57.65  | 1211        |
| 50-60 | 37.93  | 1249        |
| 60-70 | 23.50  | 1273        |
| 70-80 | 11.15  | 1284        |
| 80-90 | 2.457  | 1286        |
|       |        | UNIT:lm/klm |

### Luminance cd/(m2)

| G(DEG) | C0/180 | C90/270 |
|--------|--------|---------|
| 85     | 308    | 329     |
| 80     | 398    | 433     |
| 75     | 521    | 553     |
| 70     | 629    | 661     |
| 65     | 723    | 754     |
| 60     | 817    | 853     |
| 55     | 932    | 990     |
| 50     | 1108   | 1169    |
| 45     | 1337   | 1413    |



3"/15W/5000K/20°

Average Beam Angle (50%) : 24.1°

**Lumen:4143.53lm**  
**Total Lumens:5763 lm**  
**Input Watts: 15W**  
**Efficacy:103.52lm/W**

### Zonal Flux Diagram

| Y   | C0                       | C45    | C90    | C135   | C180  |
|-----|--------------------------|--------|--------|--------|-------|
| 10  | 3928                     | 4054   | 3920   | 4129   | 3237  |
| 20  | 1106                     | 1161   | 1146   | 1231   | 882.9 |
| 30  | 308.4                    | 320.9  | 327.9  | 353.3  | 275.1 |
| 40  | 123.8                    | 128.3  | 131.8  | 139.2  | 119.9 |
| 50  | 66.11                    | 68.82  | 70.27  | 72.67  | 66.85 |
| 60  | 38.00                    | 39.70  | 39.77  | 41.35  | 37.85 |
| 70  | 20.03                    | 21.31  | 21.04  | 22.19  | 19.61 |
| 80  | 6.432                    | 7.123  | 6.976  | 7.698  | 6.237 |
| 90  | 0.1404                   | 0.1610 | 0.2462 | 0.6532 | 0     |
| DEG | LUMINOUSINTENSITY:cd/klm |        |        |        |       |

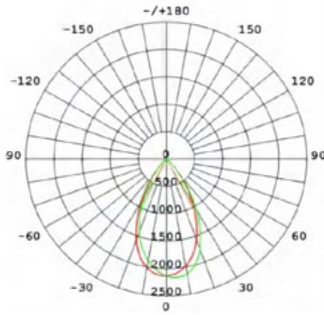
### Zonal Lumens

| Y     | Φ Zone | Φ Total     |
|-------|--------|-------------|
| 00-10 | 439.0  | 439.0       |
| 10-20 | 559.3  | 998.3       |
| 20-30 | 251.8  | 1250        |
| 30-40 | 117.1  | 1367        |
| 40-50 | 68.89  | 1436        |
| 50-60 | 45.36  | 1481        |
| 60-70 | 28.11  | 1510        |
| 70-80 | 13.34  | 1523        |
| 80-90 | 2.946  | 1526        |
|       |        | UNIT:lm/klm |

### Luminance cd/(m2)

| G(DEG) | C0/180 | C90/270 |
|--------|--------|---------|
| 85     | 367    | 386     |
| 80     | 475    | 512     |
| 75     | 624    | 656     |
| 70     | 752    | 784     |
| 65     | 863    | 897     |
| 60     | 975    | 1014    |
| 55     | 1112   | 1177    |
| 50     | 1320   | 1393    |
| 45     | 1591   | 1682    |

## PHOTOMETRICS



4" A/18W/5000K/50°

Average Beam Angle (50%) : 55.3°

Lumen:2425.76lm

Total Lumens:2169 lm

Input Watts: 18W

Efficacy:104.98lm/W

### Zonal Flux Diagram

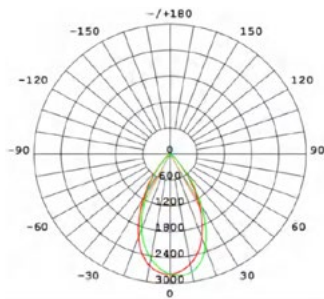
| Y   | C0                       | C45    | C90    | C135   | C180  |
|-----|--------------------------|--------|--------|--------|-------|
| 10  | 1981                     | 2072   | 2124   | 2127   | 2011  |
| 20  | 1571                     | 1699   | 1747   | 1766   | 1567  |
| 30  | 941.7                    | 1039   | 1061   | 1094   | 901.2 |
| 40  | 344.2                    | 386.5  | 389.6  | 425.6  | 305.4 |
| 50  | 76.22                    | 82.42  | 84.92  | 94.04  | 60.46 |
| 60  | 21.73                    | 22.05  | 21.73  | 21.57  | 20.02 |
| 70  | 12.54                    | 12.96  | 12.80  | 12.82  | 10.99 |
| 80  | 5.304                    | 5.459  | 5.442  | 5.601  | 4.296 |
| 90  | 0.0040                   | 0.0264 | 0.0801 | 0.3330 | 0     |
| DEG | LUMINOUSINTENSITY:cd/klm |        |        |        |       |

### Zonal Lumens

| Y     | Φ Zone | Φ Total     |
|-------|--------|-------------|
| 00-10 | 197.3  | 197.3       |
| 10-20 | 508.7  | 706.0       |
| 20-30 | 573.8  | 1280        |
| 30-40 | 380.2  | 1660        |
| 40-50 | 132.2  | 1792        |
| 50-60 | 31.21  | 1823        |
| 60-70 | 16.23  | 1840        |
| 70-80 | 8.664  | 1848        |
| 80-90 | 2.341  | 1851        |
|       |        | UNIT:lm/klm |

### Luminance cd/(m2)

| G(DEG) | C0/180 | C90/270 |
|--------|--------|---------|
| 85     | 332    | 343     |
| 80     | 366    | 372     |
| 75     | 401    | 407     |
| 70     | 439    | 444     |
| 65     | 485    | 489     |
| 60     | 521    | 516     |
| 55     | 654    | 698     |
| 50     | 1421   | 1568    |
| 45     | 2847   | 3123    |



4" A/24W/5000K/50°

Average Beam Angle (50%) : 55.3°

Lumen:2936.4lm

Total Lumens:2830 lm

Input Watts: 24W

Efficacy:101.92lm/W

### Zonal Flux Diagram

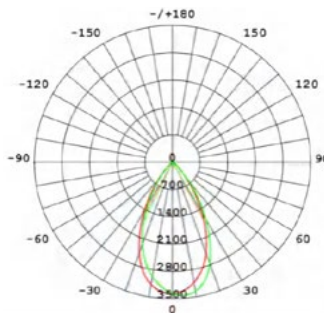
| Y   | C0                       | C45    | C90    | C135   | C180  |
|-----|--------------------------|--------|--------|--------|-------|
| 10  | 2583                     | 2703   | 2770   | 2774   | 2622  |
| 20  | 2049                     | 2215   | 2279   | 2303   | 2047  |
| 30  | 1230                     | 1350   | 1384   | 1429   | 1177  |
| 40  | 449.0                    | 501.9  | 508.7  | 556.8  | 399.1 |
| 50  | 99.45                    | 107.7  | 110.9  | 122.2  | 78.67 |
| 60  | 28.42                    | 28.83  | 28.40  | 28.25  | 26.17 |
| 70  | 16.41                    | 16.95  | 16.76  | 16.84  | 14.39 |
| 80  | 6.937                    | 7.130  | 7.106  | 7.320  | 5.622 |
| 90  | 0.0269                   | 0.0433 | 0.1496 | 0.4206 | 0     |
| DEG | LUMINOUSINTENSITY:cd/klm |        |        |        |       |

### Zonal Lumens

| Y     | Φ Zone | Φ Total     |
|-------|--------|-------------|
| 00-10 | 257.4  | 257.4       |
| 10-20 | 663.7  | 921.1       |
| 20-30 | 749.1  | 1670        |
| 30-40 | 496.6  | 2167        |
| 40-50 | 172.8  | 2340        |
| 50-60 | 40.62  | 2380        |
| 60-70 | 21.22  | 2401        |
| 70-80 | 11.34  | 2413        |
| 80-90 | 3.077  | 2416        |
|       |        | UNIT:lm/klm |

### Luminance cd/(m2)

| G(DEG) | C0/180 | C90/270 |
|--------|--------|---------|
| 85     | 433    | 455     |
| 80     | 479    | 486     |
| 75     | 525    | 531     |
| 70     | 575    | 582     |
| 65     | 634    | 639     |
| 60     | 682    | 674     |
| 55     | 855    | 913     |
| 50     | 1855   | 2049    |
| 45     | 3721   | 4080    |



4" A/30W/5000K/50°

Average Beam Angle (50%) : 55.3°

Lumen:1153.74 lm

Total Lumens: 4882 lm

Input Watts: 30

Efficacy:98.87lm/W

### Zonal Flux Diagram

| Y   | C0                       | C45    | C90    | C135   | C180  |
|-----|--------------------------|--------|--------|--------|-------|
| 10  | 3128                     | 3269   | 3353   | 3362   | 3173  |
| 20  | 2483                     | 2679   | 2761   | 2790   | 2475  |
| 30  | 1492                     | 1635   | 1677   | 1728   | 1419  |
| 40  | 554.5                    | 608.2  | 632.0  | 674.5  | 480.0 |
| 50  | 121.7                    | 130.7  | 135.9  | 150.3  | 94.87 |
| 60  | 34.55                    | 34.93  | 34.54  | 34.29  | 31.71 |
| 70  | 19.98                    | 20.55  | 20.40  | 20.47  | 17.40 |
| 80  | 8.460                    | 8.691  | 8.693  | 8.920  | 6.790 |
| 90  | 0.0471                   | 0.0720 | 0.2120 | 0.5367 | 0     |
| DEG | LUMINOUSINTENSITY:cd/klm |        |        |        |       |

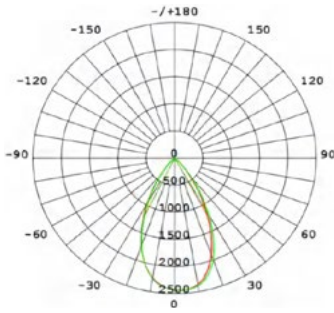
### Zonal Lumens

| Y     | Φ Zone | Φ Total     |
|-------|--------|-------------|
| 00-10 | 311.6  | 311.6       |
| 10-20 | 803.2  | 1115        |
| 20-30 | 906.1  | 2021        |
| 30-40 | 601.6  | 2622        |
| 40-50 | 209.6  | 2832        |
| 50-60 | 49.31  | 2881        |
| 60-70 | 25.76  | 2907        |
| 70-80 | 13.77  | 2921        |
| 80-90 | 3.744  | 2925        |
|       |        | UNIT:lm/klm |

### Luminance cd/(m2)

| G(DEG) | C0/180 | C90/270 |
|--------|--------|---------|
| 85     | 532    | 556     |
| 80     | 587    | 593     |
| 75     | 643    | 647     |
| 70     | 704    | 707     |
| 65     | 776    | 777     |
| 60     | 832    | 819     |
| 55     | 1048   | 1114    |
| 50     | 2281   | 2507    |
| 45     | 4547   | 4970    |

## PHOTOMETRICS



4"B/20W/5000K/50°

Average Beam Angle (50%) : 55.7°

**Lumen:2996.92 lm**  
**Total Lumens:2448 lm**  
**Input Watts: 20W**  
**Efficacy:108.68lm/W**

### Zonal Flux Diagram

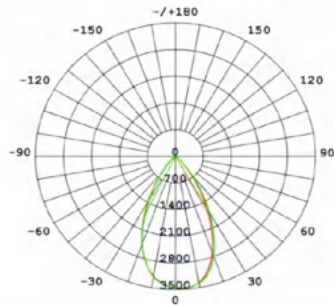
| Y   | C0                       | C45   | C90    | C135  | C180  |
|-----|--------------------------|-------|--------|-------|-------|
| 10  | 2364                     | 2396  | 2386   | 2351  | 2243  |
| 20  | 1889                     | 1971  | 1989   | 1942  | 1719  |
| 30  | 1102                     | 1186  | 1204   | 1201  | 975.6 |
| 40  | 382.5                    | 435.6 | 435.5  | 455.9 | 319.8 |
| 50  | 76.99                    | 89.21 | 90.30  | 96.94 | 61.36 |
| 60  | 25.52                    | 26.46 | 27.09  | 27.01 | 23.74 |
| 70  | 14.17                    | 14.86 | 15.27  | 15.47 | 12.67 |
| 80  | 5.631                    | 5.952 | 6.111  | 6.268 | 4.527 |
| 90  | 0                        | 0     | 0.0001 | 0     | 0     |
| DEG | LUMINOUSINTENSITY:cd/klm |       |        |       |       |

### Zonal Lumens

| Y     | Φ Zone | Φ Total     |
|-------|--------|-------------|
| 00-10 | 226.8  | 226.8       |
| 10-20 | 589.0  | 815.8       |
| 20-30 | 659.8  | 1476        |
| 30-40 | 423.7  | 1899        |
| 40-50 | 141.4  | 2041        |
| 50-60 | 34.07  | 2075        |
| 60-70 | 18.75  | 2094        |
| 70-80 | 9.621  | 2103        |
| 80-90 | 2.214  | 2105        |
|       |        | UNIT:lm/klm |

### Luminance cd/(m2)

| G(DEG) | C0/180 | C90/270 |
|--------|--------|---------|
| 85     | 256    | 277     |
| 80     | 325    | 351     |
| 75     | 371    | 398     |
| 70     | 415    | 446     |
| 65     | 463    | 497     |
| 60     | 511    | 541     |
| 55     | 614    | 679     |
| 50     | 1200   | 1403    |
| 45     | 2596   | 2888    |



4"B/30W/5000K/50°

Average Beam Angle (50%) : 55.7°

**Lumen:3873.62 lm**  
**Total Lumens:3474 lm**  
**Input Watts: 30W**  
**Efficacy:102.63lm/W**

### Zonal Flux Diagram

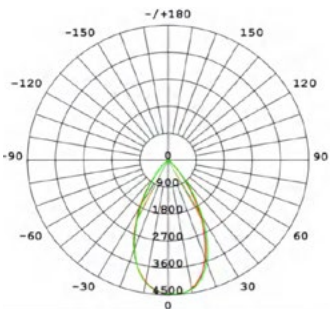
| Y   | C0                       | C45   | C90    | C135  | C180  |
|-----|--------------------------|-------|--------|-------|-------|
| 10  | 3368                     | 3400  | 3390   | 3331  | 3189  |
| 20  | 2697                     | 2795  | 2812   | 2751  | 2448  |
| 30  | 1570                     | 1683  | 1702   | 1699  | 1391  |
| 40  | 555.0                    | 619.5 | 630.6  | 646.7 | 456.1 |
| 50  | 109.4                    | 129.9 | 128.4  | 139.7 | 87.30 |
| 60  | 36.29                    | 37.70 | 38.52  | 38.39 | 33.81 |
| 70  | 20.17                    | 21.27 | 21.73  | 21.99 | 18.09 |
| 80  | 8.069                    | 8.477 | 8.744  | 8.909 | 6.489 |
| 90  | 0                        | 0     | 0.0007 | 0     | 0     |
| DEG | LUMINOUSINTENSITY:cd/klm |       |        |       |       |

### Zonal Lumens

| Y     | Φ Zone | Φ Total     |
|-------|--------|-------------|
| 00-10 | 322.2  | 322.2       |
| 10-20 | 837.0  | 1159        |
| 20-30 | 937.2  | 2096        |
| 30-40 | 602.9  | 2699        |
| 40-50 | 201.4  | 2901        |
| 50-60 | 48.46  | 2949        |
| 60-70 | 26.69  | 2976        |
| 70-80 | 13.71  | 2989        |
| 80-90 | 3.168  | 2993        |
|       |        | UNIT:lm/klm |

### Luminance cd/(m2)

| G(DEG) | C0/180 | C90/270 |
|--------|--------|---------|
| 85     | 361    | 393     |
| 80     | 464    | 502     |
| 75     | 527    | 567     |
| 70     | 589    | 633     |
| 65     | 658    | 706     |
| 60     | 725    | 767     |
| 55     | 870    | 963     |
| 50     | 1701   | 1989    |
| 45     | 3655   | 4103    |



4"B/40W/5000K/50°

Average Beam Angle (50%) : 55.7°

**Lumen:1138.65 lm**  
**Total Lumens:4490 lm**  
**Input Watts: 40W**  
**Efficacy:96.12lm/W**

### Zonal Flux Diagram

| Y   | C0                       | C45   | C90    | C135  | C180  |
|-----|--------------------------|-------|--------|-------|-------|
| 10  | 4349                     | 4390  | 4371   | 4303  | 4128  |
| 20  | 3477                     | 3604  | 3622   | 3551  | 3175  |
| 30  | 2024                     | 2169  | 2191   | 2195  | 1805  |
| 40  | 705.8                    | 798.0 | 801.9  | 836.6 | 591.9 |
| 50  | 140.9                    | 172.9 | 165.3  | 183.0 | 114.1 |
| 60  | 47.07                    | 48.88 | 49.97  | 49.81 | 44.05 |
| 70  | 26.15                    | 27.50 | 28.16  | 28.52 | 23.58 |
| 80  | 10.41                    | 11.04 | 11.26  | 11.59 | 8.490 |
| 90  | 0.0001                   | 0     | 0.0005 | 0     | 0     |
| DEG | LUMINOUSINTENSITY:cd/klm |       |        |       |       |

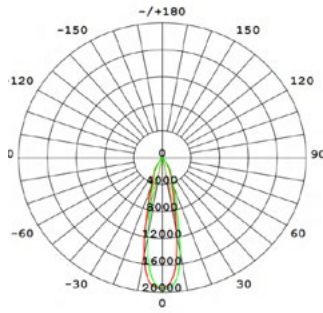
### Zonal Lumens

| Y     | Φ Zone | Φ Total     |
|-------|--------|-------------|
| 00-10 | 416.5  | 416.5       |
| 10-20 | 1082   | 1498        |
| 20-30 | 1211   | 2709        |
| 30-40 | 778.6  | 3488        |
| 40-50 | 260.8  | 3749        |
| 50-60 | 62.93  | 3811        |
| 60-70 | 34.63  | 3846        |
| 70-80 | 17.79  | 3864        |
| 80-90 | 4.121  | 3868        |
|       |        | UNIT:lm/klm |

### Luminance cd/(m2)

| G(DEG) | C0/180 | C90/270 |
|--------|--------|---------|
| 85     | 467    | 513     |
| 80     | 601    | 647     |
| 75     | 683    | 734     |
| 70     | 767    | 822     |
| 65     | 855    | 916     |
| 60     | 944    | 997     |
| 55     | 1140   | 1279    |
| 50     | 2200   | 2566    |
| 45     | 4735   | 5283    |

## PHOTOMETRICS



6"/53W/5000K/25°  
Average Beam Angle (50%) : 24.8°

**Lumen:5809.62 lm**  
**Total Lumens:19732 lm**  
**Input Watts: 53W**  
**Efficacy:109.62lm/W**

### Zonal Flux Diagram

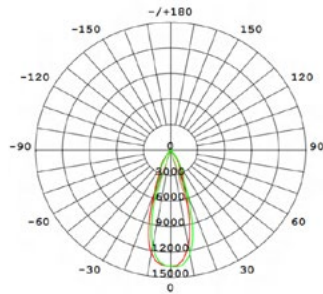
| Y   | C0                       | C45    | C90    | C135   | C180   |
|-----|--------------------------|--------|--------|--------|--------|
| 10  | 1129                     | 1249   | 1428   | 1710   | 1469   |
| 20  | 380.6                    | 396.3  | 449.3  | 563.6  | 465.5  |
| 30  | 169.2                    | 183.3  | 211.3  | 259.9  | 222.3  |
| 40  | 12.86                    | 22.45  | 27.99  | 63.29  | 41.89  |
| 50  | 7.026                    | 7.687  | 7.519  | 7.402  | 7.574  |
| 60  | 2.582                    | 3.239  | 4.430  | 6.430  | 4.889  |
| 70  | 0.4725                   | 0.5026 | 0.4698 | 0.6141 | 0.5888 |
| 80  | 0.1200                   | 0.1312 | 0.1728 | 0.2451 | 0.1969 |
| 90  | 0                        | 0      | 0      | 0      | 0      |
| DEG | LUMINOUSINTENSITY:cd/klm |        |        |        |        |

### Zonal Lumens

| Y     | Φ Zone | Φ Total     |
|-------|--------|-------------|
| 00-10 | 1569   | 1569        |
| 10-20 | 2075   | 3643        |
| 20-30 | 1349   | 4992        |
| 30-40 | 641.1  | 5633        |
| 40-50 | 84.21  | 5718        |
| 50-60 | 61.10  | 5779        |
| 60-70 | 13.64  | 5792        |
| 70-80 | 3.497  | 5796        |
| 80-90 | 0.4677 | 5796        |
|       |        | UNIT:lm/klm |

### Luminance cd/(m2)

| G(DEG) | C0/180 | C90/270 |
|--------|--------|---------|
| 85     | 0      | 1       |
| 80     | 32     | 45      |
| 75     | 56     | 59      |
| 70     | 63     | 62      |
| 65     | 77     | 93      |
| 60     | 237    | 403     |
| 55     | 568    | 650     |
| 50     | 502    | 532     |
| 45     | 435    | 479     |



6"/53W/5000K/36°  
Average Beam Angle (50%) : 14.5°

**Lumen:5704.04 lm**  
**Total Lumens:13737 lm**  
**Input Watts: 53W**  
**Efficacy:109.48lm/W**

### Zonal Flux Diagram

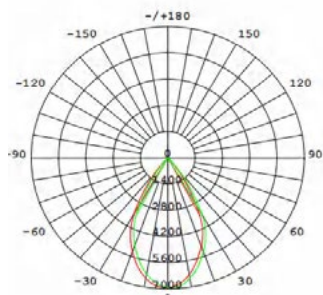
| Y   | C0                       | C45    | C90    | C135   | C180   |
|-----|--------------------------|--------|--------|--------|--------|
| 10  | 1135                     | 1199   | 1235   | 1295   | 1229   |
| 20  | 420.7                    | 466.2  | 549.9  | 663.6  | 520.4  |
| 30  | 174.4                    | 191.4  | 214.3  | 247.2  | 211.7  |
| 40  | 17.70                    | 27.31  | 36.05  | 62.48  | 41.91  |
| 50  | 4.347                    | 4.785  | 5.042  | 5.649  | 5.307  |
| 60  | 1.466                    | 1.739  | 1.857  | 2.226  | 2.076  |
| 70  | 0.4144                   | 0.4682 | 0.5489 | 0.7003 | 0.5839 |
| 80  | 0.0825                   | 0.0976 | 0.1201 | 0.1561 | 0.1175 |
| 90  | 0                        | 0      | 0      | 0      | 0      |
| DEG | LUMINOUSINTENSITY:cd/klm |        |        |        |        |

### Zonal Lumens

| Y     | Φ Zone | Φ Total     |
|-------|--------|-------------|
| 00-10 | 1230   | 1230        |
| 10-20 | 2308   | 3538        |
| 20-30 | 1384   | 4922        |
| 30-40 | 652.3  | 5574        |
| 40-50 | 81.04  | 5656        |
| 50-60 | 26.43  | 5682        |
| 60-70 | 10.34  | 5692        |
| 70-80 | 2.757  | 5695        |
| 80-90 | 0.2919 | 5695        |
|       |        | UNIT:lm/klm |

### Luminance cd/(m2)

| G(DEG) | C0/180 | C90/270 |
|--------|--------|---------|
| 85     | 0      | 1       |
| 80     | 22     | 31      |
| 75     | 38     | 46      |
| 70     | 55     | 73      |
| 65     | 90     | 122     |
| 60     | 134    | 169     |
| 55     | 187    | 236     |
| 50     | 309    | 356     |
| 45     | 389    | 510     |



6"/53W/5000K/60°  
Average Beam Angle (50%) : 58.2°

**Lumen:5669.71 lm**  
**Total Lumens:6968 lm**  
**Input Watts: 53W**  
**Efficacy:108.82lm/W**

### Zonal Flux Diagram

| Y   | C0                       | C45   | C90   | C135  | C180  |
|-----|--------------------------|-------|-------|-------|-------|
| 10  | 6333                     | 6424  | 6529  | 6708  | 6524  |
| 20  | 5027                     | 5190  | 5328  | 5569  | 5325  |
| 30  | 2900                     | 3174  | 3525  | 3984  | 3490  |
| 40  | 525.9                    | 659.7 | 830.9 | 1195  | 848.9 |
| 50  | 83.94                    | 99.82 | 118.8 | 157.2 | 112.1 |
| 60  | 18.82                    | 21.45 | 23.31 | 27.48 | 23.10 |
| 70  | 6.337                    | 6.792 | 7.071 | 8.391 | 7.440 |
| 80  | 1.262                    | 1.463 | 1.736 | 2.387 | 1.770 |
| 90  | 0                        | 0     | 0     | 0     | 0     |
| DEG | LUMINOUSINTENSITY:cd/klm |       |       |       |       |

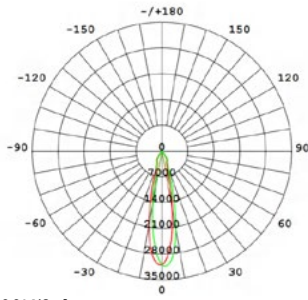
### Zonal Lumens

| Y     | Φ Zone | Φ Total     |
|-------|--------|-------------|
| 00-10 | 637.3  | 637.3       |
| 10-20 | 1637   | 2274        |
| 20-30 | 1970   | 4244        |
| 30-40 | 1132   | 5376        |
| 40-50 | 223.3  | 5599        |
| 50-60 | 43.39  | 5643        |
| 60-70 | 12.31  | 5655        |
| 70-80 | 4.145  | 5659        |
| 80-90 | 0.4133 | 5659        |
|       |        | UNIT:lm/klm |

### Luminance cd/(m2)

| G(DEG) | C0/180 | C90/270 |
|--------|--------|---------|
| 85     | 0      | 1       |
| 80     | 33     | 45      |
| 75     | 63     | 71      |
| 70     | 84     | 94      |
| 65     | 115    | 135     |
| 60     | 171    | 212     |
| 55     | 287    | 381     |
| 50     | 595    | 840     |
| 45     | 1265   | 1846    |

## PHOTOMETRICS



8"/80W/4000K/25°  
Average Beam Angle (50%) : 22.5°

Lumen:7530.94 lm  
Total Lumens:32266 lm  
Input Watts: 80W  
Efficacy:97.30lm/W

### Zonal Flux Diagram

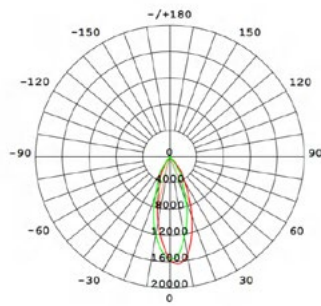
| Y   | C0                       | C45    | C90    | C135   | C180   |
|-----|--------------------------|--------|--------|--------|--------|
| 10  | 1590                     | 1897   | 2186   | 2576   | 2025   |
| 20  | 388.4                    | 457.8  | 549.8  | 680.6  | 462.9  |
| 30  | 266.4                    | 261.8  | 297.2  | 297.9  | 285.3  |
| 40  | 10.34                    | 20.41  | 39.14  | 90.91  | 30.41  |
| 50  | 4.605                    | 5.361  | 5.534  | 6.241  | 5.210  |
| 60  | 2.877                    | 3.176  | 3.387  | 3.657  | 3.178  |
| 70  | 1.097                    | 1.286  | 1.561  | 1.928  | 1.533  |
| 80  | 0.1476                   | 0.2017 | 0.2757 | 0.4368 | 0.3013 |
| 90  | 0.0000                   | 0      | 0      | 0      | 0      |
| DEG | LUMINOUSINTENSITY:cd/klm |        |        |        |        |

### Zonal Lumens

| Y     | Φ Zone | Φ Total     |
|-------|--------|-------------|
| 00-10 | 2310   | 2310        |
| 10-20 | 2642   | 4951        |
| 20-30 | 1535   | 6486        |
| 30-40 | 891.7  | 7378        |
| 40-50 | 75.00  | 7453        |
| 50-60 | 36.14  | 7489        |
| 60-70 | 22.82  | 7512        |
| 70-80 | 7.377  | 7519        |
| 80-90 | 0.5926 | 7520        |
|       |        | UNIT:lm/klm |

### Luminance cd/(m2)

| G(DEG) | C0/180 | C90/270 |
|--------|--------|---------|
| 85     | 0      | 7       |
| 80     | 28     | 51      |
| 75     | 66     | 93      |
| 70     | 105    | 148     |
| 65     | 161    | 196     |
| 60     | 188    | 219     |
| 55     | 206    | 237     |
| 50     | 235    | 278     |
| 45     | 286    | 359     |



8"/80W/4000K/36°  
Average Beam Angle (50%) : 36.0°

Lumen:7448.13 lm  
Total Lumens:16358 lm  
Input Watts: 80W  
Efficacy:95.98lm/W

### Zonal Flux Diagram

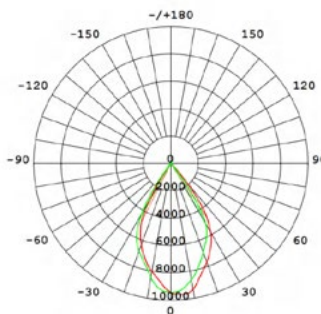
| Y   | C0                       | C45    | C90    | C135   | C180   |
|-----|--------------------------|--------|--------|--------|--------|
| 10  | 1513                     | 1436   | 1246   | 1131   | 1018   |
| 20  | 953.7                    | 903.2  | 697.9  | 566.8  | 475.1  |
| 30  | 453.8                    | 432.0  | 338.8  | 278.8  | 174.4  |
| 40  | 153.9                    | 103.9  | 25.52  | 14.91  | 9.838  |
| 50  | 9.820                    | 8.690  | 6.922  | 5.975  | 5.062  |
| 60  | 4.997                    | 4.765  | 4.081  | 3.514  | 2.908  |
| 70  | 2.802                    | 2.624  | 1.805  | 1.211  | 0.8072 |
| 80  | 0.7595                   | 0.6202 | 0.3238 | 0.1417 | 0.0132 |
| 90  | 0.0080                   | 0.0002 | 0.0000 | 0.0005 | 0      |
| DEG | LUMINOUSINTENSITY:cd/klm |        |        |        |        |

### Zonal Lumens

| Y     | Φ Zone | Φ Total     |
|-------|--------|-------------|
| 00-10 | 1326   | 1326        |
| 10-20 | 2653   | 3979        |
| 20-30 | 2201   | 6180        |
| 30-40 | 1043   | 7223        |
| 40-50 | 125.2  | 7348        |
| 50-60 | 46.23  | 7395        |
| 60-70 | 27.61  | 7422        |
| 70-80 | 9.417  | 7432        |
| 80-90 | 1.048  | 7433        |
|       |        | UNIT:lm/klm |

### Luminance cd/(m2)

| G(DEG) | C0/180 | C90/270 |
|--------|--------|---------|
| 85     | 94     | 12      |
| 80     | 141    | 60      |
| 75     | 194    | 106     |
| 70     | 263    | 170     |
| 65     | 292    | 231     |
| 60     | 321    | 263     |
| 55     | 368    | 292     |
| 50     | 491    | 347     |
| 45     | 973    | 466     |



8"/80W/4000K/60°  
Average Beam Angle (50%) : 60.1°

Lumen:7483.99 lm  
Total Lumens:16358 lm  
Input Watts: 80W  
Efficacy:95.98lm/W

### Zonal Flux Diagram

| Y   | C0                       | C45   | C90   | C135  | C180   |
|-----|--------------------------|-------|-------|-------|--------|
| 10  | 9351                     | 9137  | 8634  | 8317  | 8032   |
| 20  | 7665                     | 7360  | 6907  | 6678  | 6329   |
| 30  | 5813                     | 5691  | 5076  | 4355  | 3224   |
| 40  | 1545                     | 1172  | 507.5 | 323.2 | 180.3  |
| 50  | 117.3                    | 106.3 | 81.39 | 73.07 | 58.87  |
| 60  | 48.29                    | 45.94 | 40.05 | 37.32 | 31.97  |
| 70  | 24.13                    | 22.73 | 17.93 | 14.33 | 10.59  |
| 80  | 6.293                    | 5.626 | 3.652 | 2.372 | 0.6892 |
| 90  | 0.0003                   | 0     | 0     | 0     | 0      |
| DEG | LUMINOUSINTENSITY:cd/klm |       |       |       |        |

### Zonal Lumens

| Y     | Φ Zone | Φ Total     |
|-------|--------|-------------|
| 00-10 | 860.5  | 860.5       |
| 10-20 | 2172   | 3033        |
| 20-30 | 2723   | 5756        |
| 30-40 | 1465   | 7221        |
| 40-50 | 160.8  | 7381        |
| 50-60 | 50.96  | 7432        |
| 60-70 | 27.94  | 7460        |
| 70-80 | 9.513  | 7470        |
| 80-90 | 0.9433 | 7471        |
|       |        | UNIT:lm/klm |

### Luminance cd/(m2)

| G(DEG) | C0/180 | C90/270 |
|--------|--------|---------|
| 85     | 66     | 10      |
| 80     | 117    | 68      |
| 75     | 161    | 113     |
| 70     | 227    | 169     |
| 65     | 269    | 222     |
| 60     | 311    | 258     |
| 55     | 391    | 308     |
| 50     | 587    | 408     |
| 45     | 1234   | 690     |